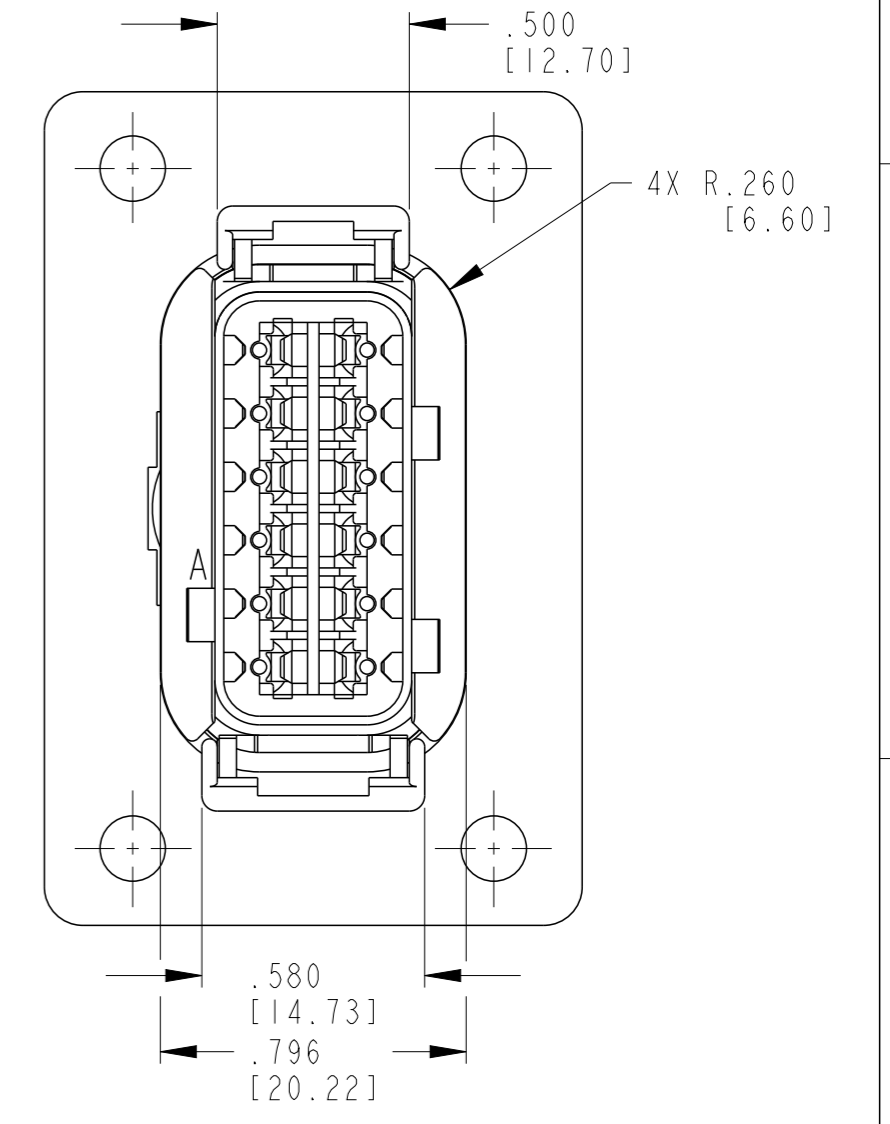
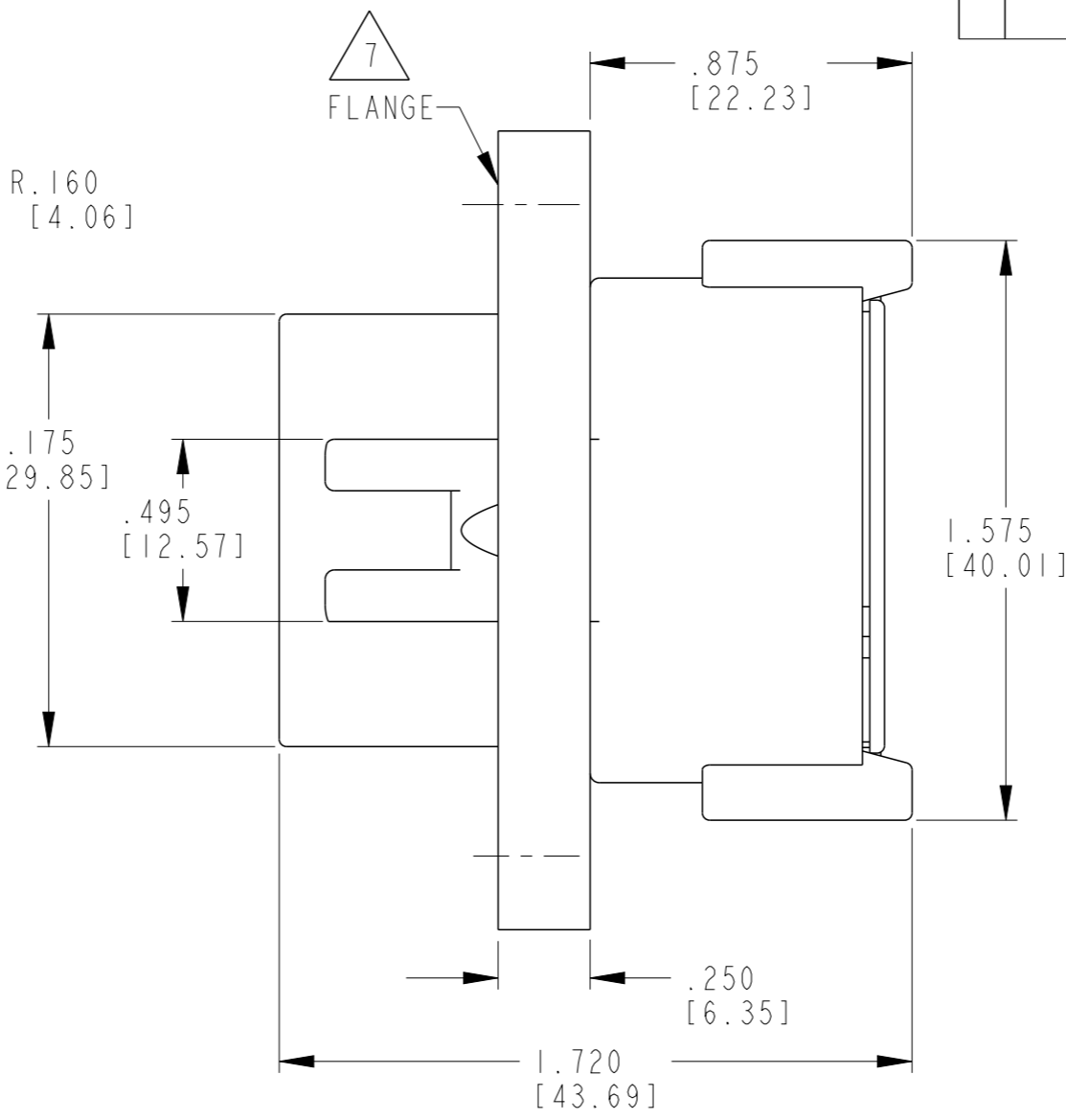
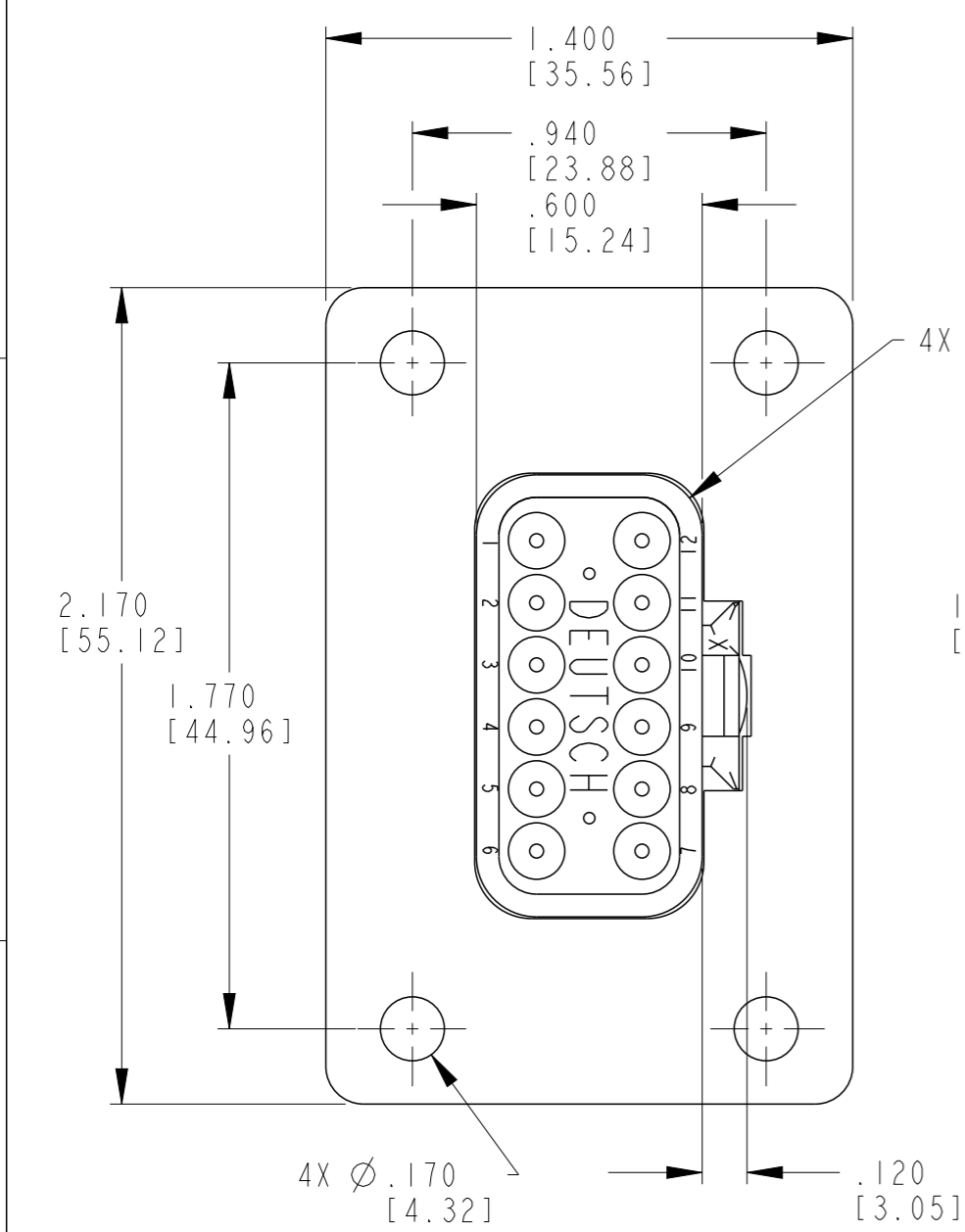


LOC		DIST		REVISIONS			
P	LTR	DESCRIPTION		DATE	DWN	APVD	
	A	NEW RELEASE PER ECO-13-019760		16DEC2013	AM	DM	
	A1	REVISED PER ECO-14-016221		27OCT2014	JA	DM	
	B	REVISED PER ECO-16-000716		20NOV2015	VNB	DM	



- 7 PART MODIFICATION.
 - 6. RECOMMENDED SCREW: 6-32 [M4]. TORQUE: 20-25 IN-LB [2.26-2.82 Nm].
 - 5. SEE SHEET 2 FOR OTHER KEY ARRANGEMENTS.
 - 4 MATERIAL - HOUSING/FLANGE: NYLON 6/6 15% GF; GROMMET: VMQ.
 - 3. THIS RECEPTACLE MATES WITH DTM06-12SX-XXXX PLUG. (X = A,B,C,D KEYS; XXXX = ALL MODIFICATIONS)
 - 2 FOR CONTACT AND WIRE PERFORMANCE AND APPLICATION CHARACTERISTICS SEE ENVELOPE DRAWING 0425-015-0000.
 - 1. SECONDARY WEDGE LOCK SOLD SEPARATELY: WM-12P.
- NOTES: UNLESS OTHERWISE SPECIFIED

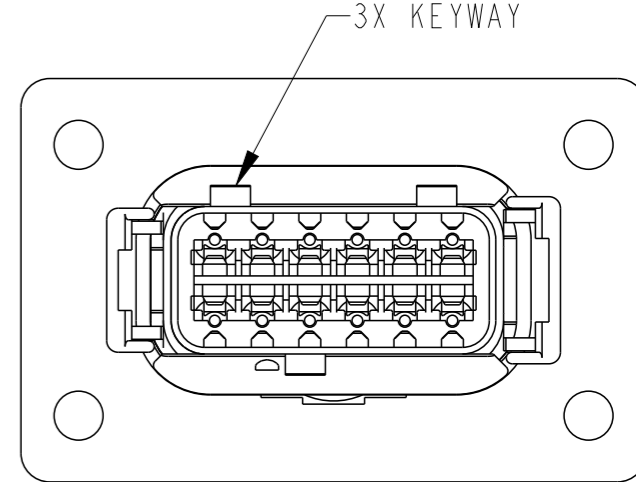
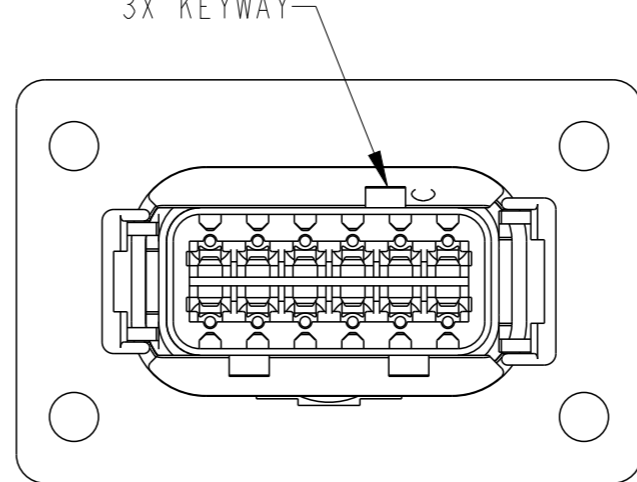
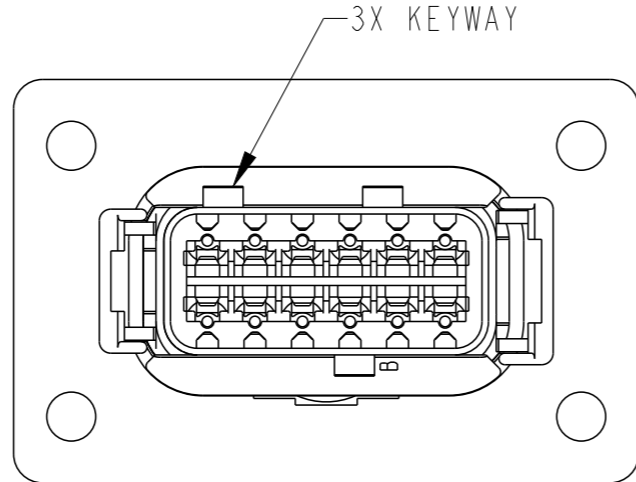
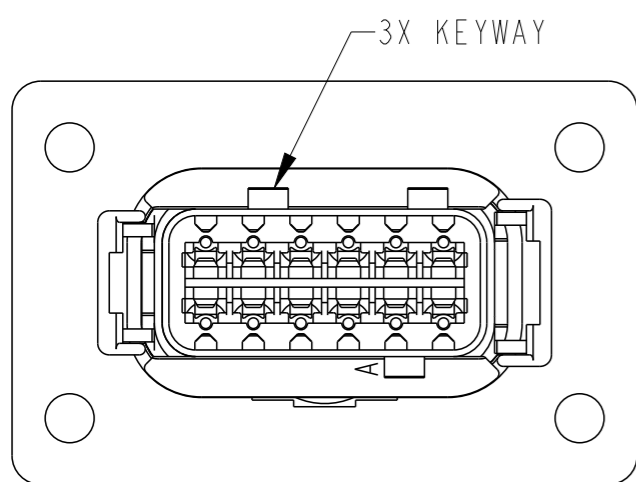
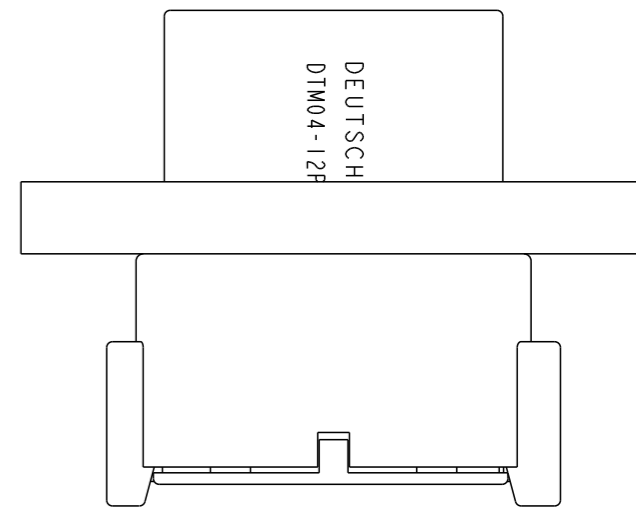
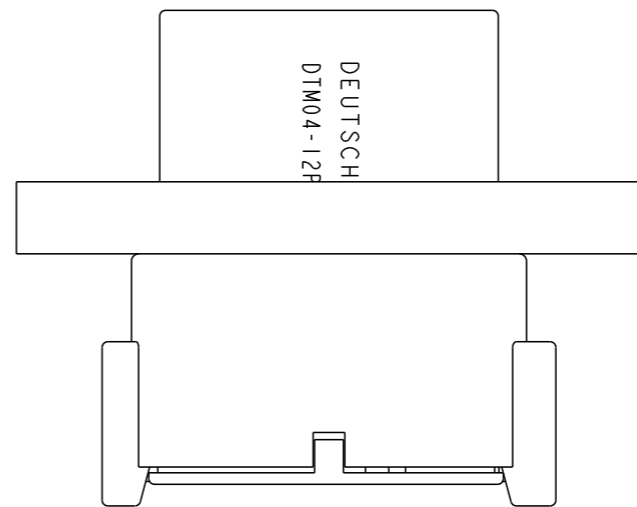
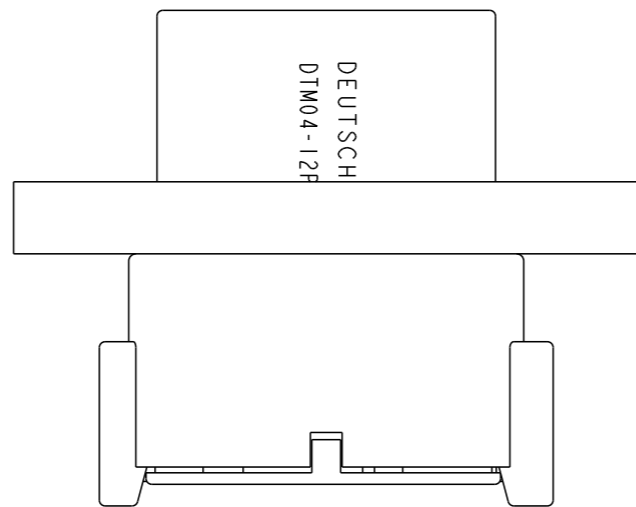
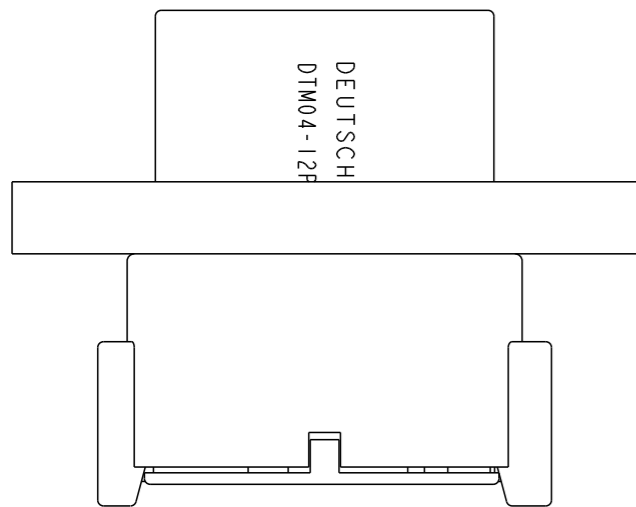
CONTACT SIZE	MIN. INSUL. O.D.	MAX. INSUL. O.D.	WIRE RANGE [mm ²] REF ONLY
20	.053 [1.35]	.120 [3.05]	16-20 AWG [1.0-0.5]

8. GASKET PN DT12-L012-GKT MAY BE USED WITH THIS APPLICATION AT MOUNTING PANEL.

TE INTERNAL PN	DEUTSCH PN
DTM04-12PA-L012	DTM04-12PA-L012
DTM04-12PB-L012	DTM04-12PB-L012
DTM04-12PC-L012	DTM04-12PC-L012
DTM04-12PD-L012	DTM04-12PD-L012

THIS DRAWING IS A CONTROLLED DOCUMENT.		DWN A. MALAGON 21NOV2013		
DIMENSIONS: INCHES [mm]		CHK BOB MILLIGAN 27OCT2014		
TOLERANCES UNLESS OTHERWISE SPECIFIED:		APVD DAVID MEYER 27OCT2014	NAME RECPTACLE, 12 SIZE #20 CONTACTS DTM SERIES -L012 MOD	
0 PLC ±		PRODUCT SPEC 0425-015-0000	SIZE A3	
1 PLC ±		APPLICATION SPEC 0425-015-0000	CAGE CODE 4AFU8	DRAWING NO C=DTM04-12PX-L012
2 PLC ±		WEIGHT 23.25g	RESTRICTED TO -	
3 PLC ±.015 [0.38]		Customer Drawing	SCALE 2:1	SHEET 1 OF 3
4 PLC ±				REV B
ANGLES ± ±0°30'0"				
FINISH -				

LOC	DIST	REVISIONS			
P	LTR	DESCRIPTION	DATE	DWN	APVD
		SEE SHEET 1	-	-	-



DTM04-12PA-L012
KEY -A-
COLOR: GREY

DTM04-12PB-L012
KEY -B-
COLOR: BLACK

DTM04-12PC-L012
KEY -C-
COLOR: GREEN

DTM04-12PD-L012
KEY -D-
COLOR: BROWN

THIS DRAWING IS A CONTROLLED DOCUMENT.		DWN A. MALAGON 21NOV2013																
DIMENSIONS: INCHES [mm]		CHK BOB MILLIGAN 27OCT2014																
TOLERANCES UNLESS OTHERWISE SPECIFIED:		APVD DAVID MEYER 27OCT2014	NAME RECTACLE, 12 SIZE #20 CONTACTS DTM SERIES -L012 MOD															
<table border="0"> <tr><td>0 PLC</td><td>±</td></tr> <tr><td>1 PLC</td><td>±</td></tr> <tr><td>2 PLC</td><td>±</td></tr> <tr><td>3 PLC</td><td>±.015 [0.38]</td></tr> <tr><td>4 PLC</td><td>±</td></tr> <tr><td>ANGLES</td><td>±0°30'0"</td></tr> </table>		0 PLC	±	1 PLC	±	2 PLC	±	3 PLC	±.015 [0.38]	4 PLC	±	ANGLES	±0°30'0"	PRODUCT SPEC 0425-015-0000	SIZE A3	CAGE CODE 4AFU8	DRAWING NO DTM04-12PX-L012	RESTRICTED TO -
0 PLC	±																	
1 PLC	±																	
2 PLC	±																	
3 PLC	±.015 [0.38]																	
4 PLC	±																	
ANGLES	±0°30'0"																	
MATERIAL 4		FINISH -	APPLIC. SPEC 0425-015-0000	WEIGHT 23.25g	SCALE 2:1	SHEET 2 OF 3	REV B											
		Customer Drawing																

4

3

2

1

THIS DRAWING IS UNPUBLISHED

RELEASED FOR PUBLICATION

2014

© COPYRIGHT 2013

BY TE CONNECTIVITY

ALL RIGHTS RESERVED.

LOC DIST

REVISIONS

P	LTR	DESCRIPTION	DATE	DWN	APVD
	-	SEE SHEET 1	-	-	-

DTM04-12PA-L012
AS AN EXAMPLEBACK PANEL
MOUNT

FRONT PANEL
MOUNT SCALE 5:4

FRONT PANEL

BACK PANEL

FRONT PANEL DIMENSIONS:

- Overall width: 1.615 [41.02]
- Distance from left edge to center of hole: .855 [21.72]
- Distance from center of hole to right edge: .855 [21.72]
- Overall height: 1.770 [44.96]
- Distance from top edge to center of hole: .836 [21.23]
- Distance from center of hole to bottom edge: .940 [23.88]
- Distance from left edge to center of hole: .620 [15.75]
- Distance from center of hole to right edge: .540 [13.72]
- 4X 6-32 THREAD [M4]
- 4X R.030 [.76]
- 4X R.060 [1.52]
- 4X R.278 [7.06]

BACK PANEL DIMENSIONS:

- Overall width: 1.770 [44.96]
- Distance from left edge to center of hole: 1.224 [31.09]
- Distance from center of hole to right edge: .544 [13.82]
- Overall height: 1.770 [44.96]
- Distance from top edge to center of hole: .775 [19.67]
- Distance from center of hole to bottom edge: .940 [23.88]
- Distance from left edge to center of hole: .649 [16.48]
- Distance from center of hole to right edge: .544 [13.82]
- 4X R.171 [4.34]
- 2X R.030 [.76]
- 4X 6-32 THREAD [M4]
- 4X R.030 [.76]

RECOMMENDED MOUNTING HOLE

THIS DRAWING IS A CONTROLLED DOCUMENT.

DWN 21NOV2013
A. MALAGONCHK 27OCT2014
BOB MILLIGANAPVD 27OCT2014
DAVID MEYER

PRODUCT SPEC

0425-015-0000

APPLICATION SPEC

0425-015-0000

WEIGHT 23.25g

STE

TE Connectivity

NAME
RECTACLE, 12 SIZE #20 CONTACTS
DTM SERIES
-L012 MOD

SIZE CAGE CODE DRAWING NO RESTRICTED TO

A3 4AFU8 ©-DTM04-12PX-L012 -

Customer Drawing SCALE 2:1 SHEET 3 OF 3 REV B

DIMENSIONS:
INCHES [mm]TOLERANCES UNLESS
OTHERWISE SPECIFIED:

0 PLC	±
1 PLC	±
2 PLC	±
3 PLC	±.015 [0.38]
4 PLC	±
ANGLES	±0°30'0"

MATERIAL

FINISH

-

1470-19 (3/11)